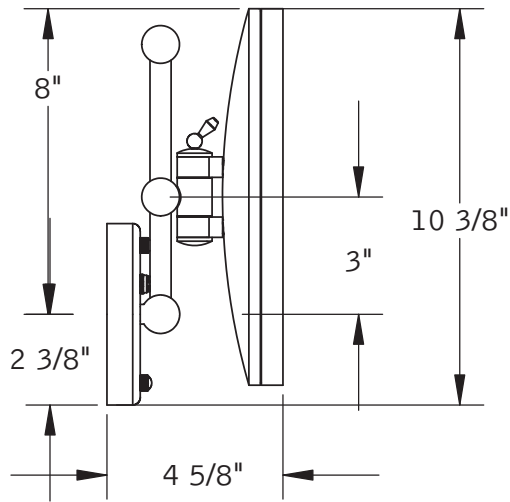


Catalog Number: **E2-LED**

Baci At Home

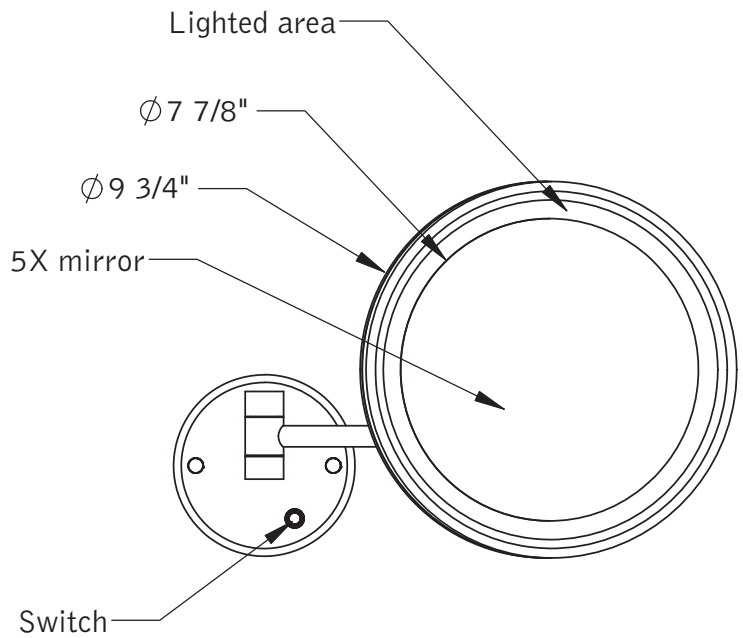
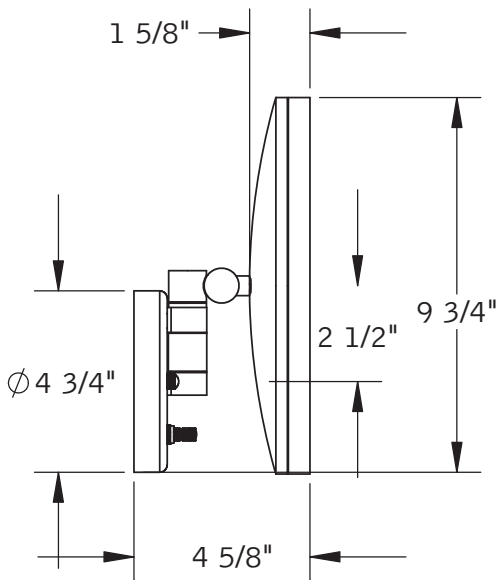
E2-LED

Top view

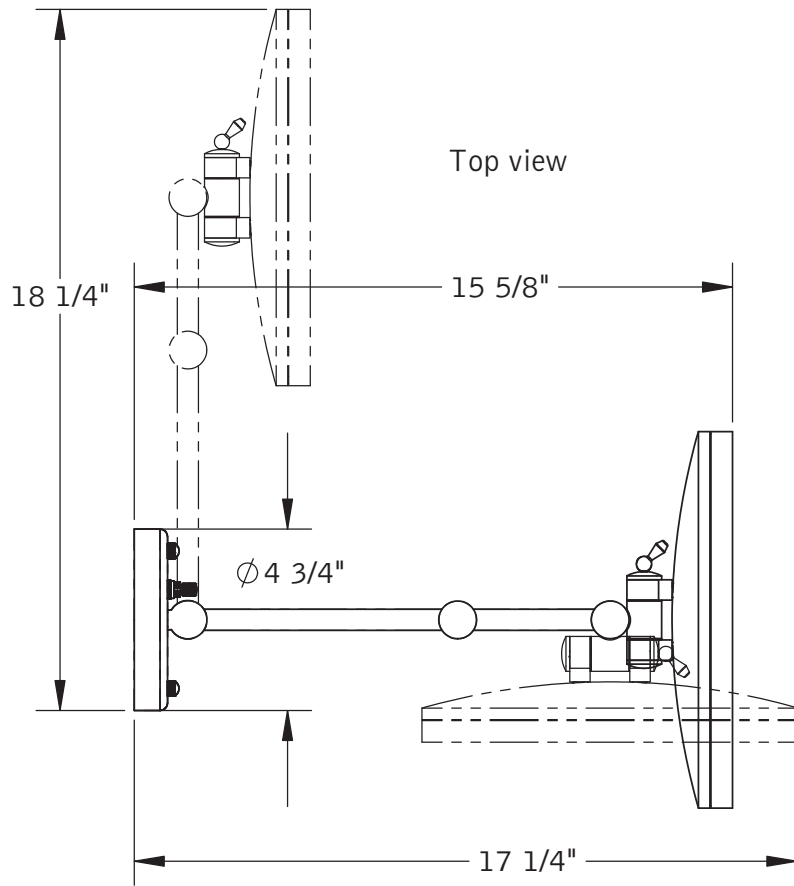


The center of the mirror is 2 1/2" above the center of the outlet box. Since the typical user's eye height is 58 3/4" the outlet box should be centered 56 1/4" above the floor.

Side view

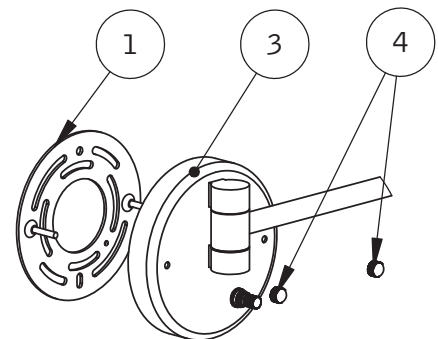
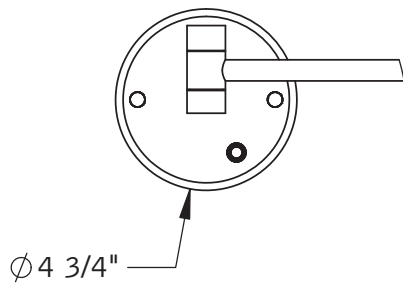


E2-LED



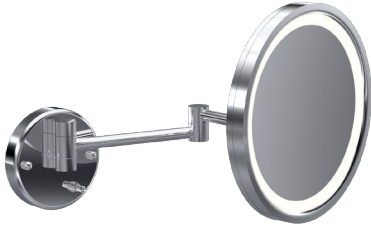
Installation

- 1) Attach backplate to the outlet box
- 2) Connect wires - green to ground, white to neutral and black to line
- 3) Slide canopy over the screws protruding from the backplate
- 4) Secure with trim nuts



Echo Mirrors

E2-LED — Double Arm Wall Mirror with LED Halo Light



Product Category	Echo Mirrors
Special Features	Solid brass construction Optical quality glass mirror LED lighting 1 year warrantee
Lighting	Halo Light - Low Power LED 260 Color Temperature 5000° K Color Rendering Index 64
Electrical	Watts 4 Volts 100-240 Hertz (Frequency) 50/60 Amps (Current) .04
UL Listing	Lighting Fixture - suitable for damp locations (USC)
Dimensions	Mirror body 9 3/4" diameter Folds to 10 3/8" wide x 9 3/4" high x 4 5/8" deep Canopy is 5" diameter Maximum extension 15 5/8"
Basic Model	E2-LED-HW-CHR
Body Types	All metal body
Magnification	5X
Finish Options	Standard Chrome Standard Satin Nickel Standard Bronze

Other Models in this Family

E2-H Incandescent Lighting



E2-X Unlighted

